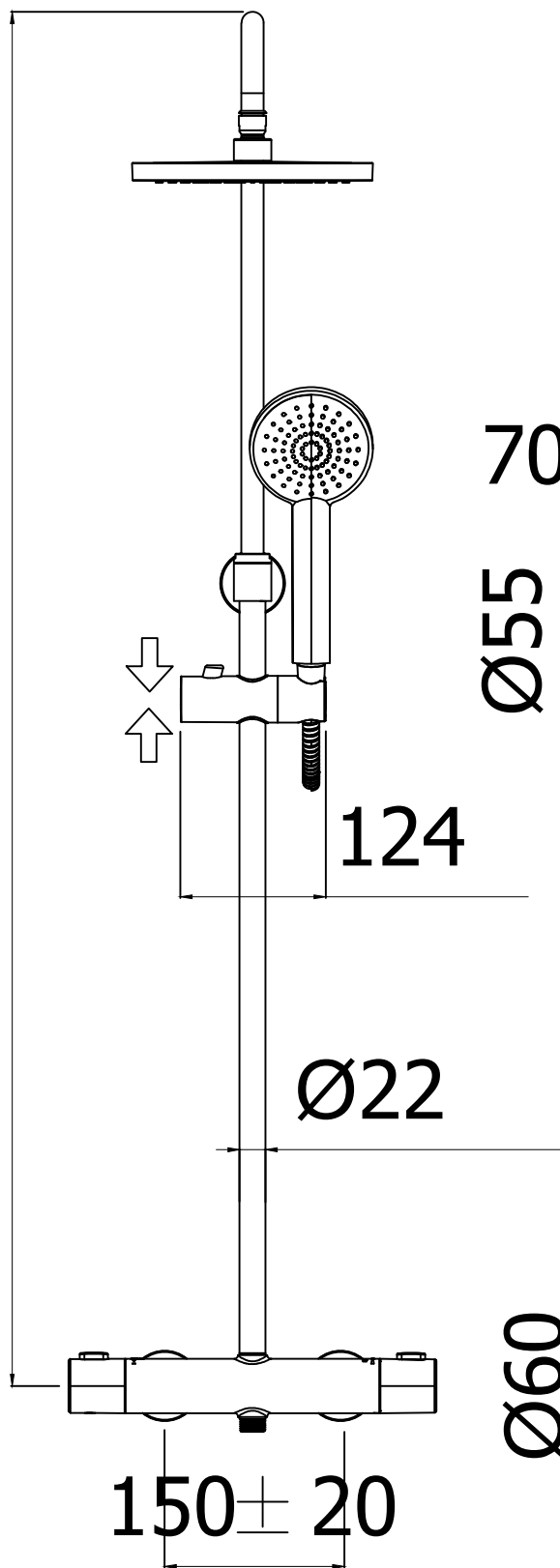


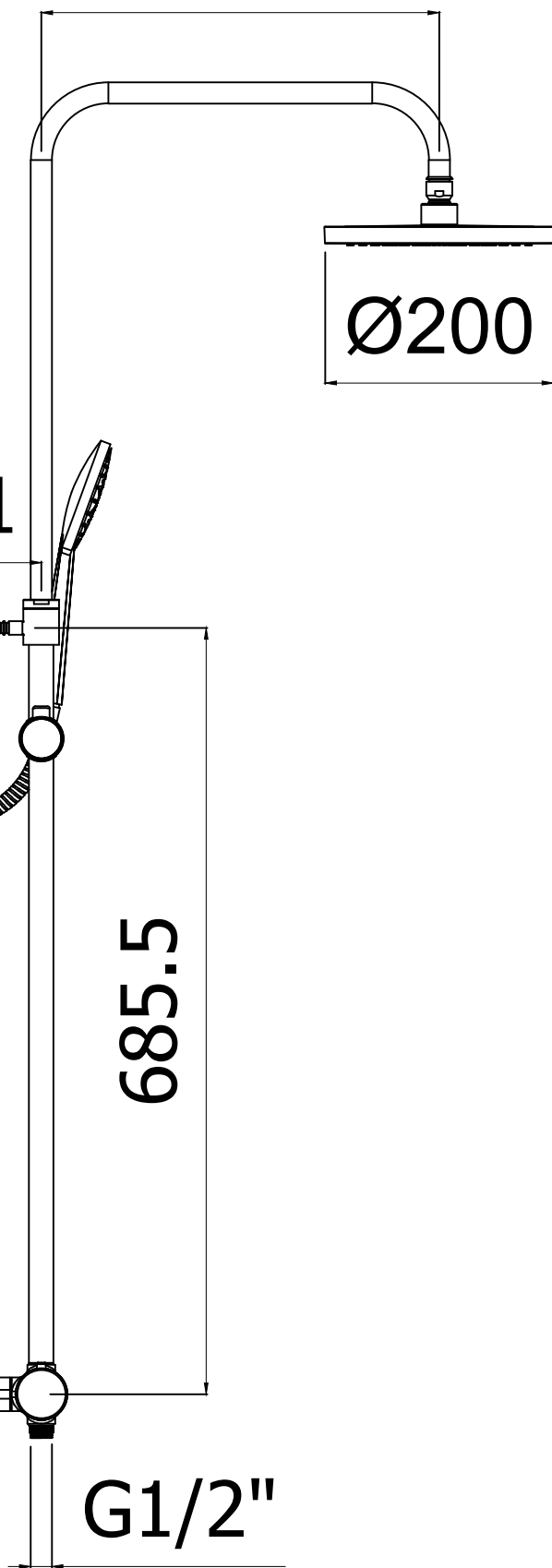
800 ÷ 1150



70 ± 1
 $\text{Ø}55$

356

$\text{Ø}60$



$\text{Ø}200$

685.5

$G1/2''$