

**Countertop 65 mm with cut-out left  
404682**

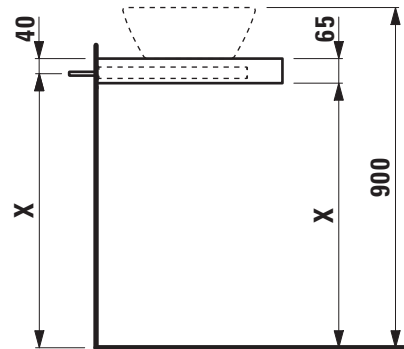
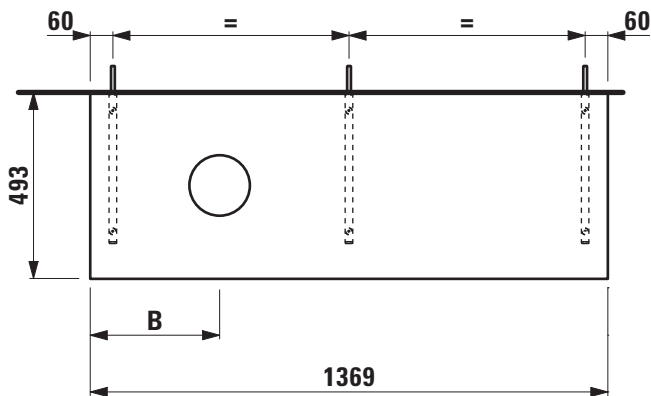


**TECHNICAL DATA**

Order no.	404682 / 1 cut-out left
Dimensions (WxHxD)	1369 x 65 x 493 mm
Matching for washbasin	see table below
Specification	Countertop – 65 mm box framed made of 18 mm MDF with laminate (only 260 – White matt) or PVC foil ( 266 – Traffic grey, 267 – Wild oak) with 3 mounting brackets max. load 150 kg
Weight	15,2 kg
Accessories excl.	Towel holder chrome plated or lacquered, order no. 493120 Towel rail, anodized aluminium, order no. 490951

Mounting acc. incl.	Installation set, order no. 490522 and mounting brackets, order no. 492470
Mounting information	The walls installed on must meet the requirements of the furniture in terms of weight and the supplied fastening elements. If this cannot be guaranteed another method of installation needs to be chosen.
Colours	260 – White matt 266 – Traffic grey 267 – Wild oak
Otherwise	When ordering use the order form for Modular System and Countertops.

**TECHNICAL DRAWINGS / S 1 : 20**



B / mm	Ceramic
238	Val 812282 (basin left)
250	Val 816288
253	Palomba Collection 816802
268	Kartell • LAUFEN 818334
292	Val 812281
293	Palomba Collection 816803
299	Palomba Collection 816801
318	Kartell • LAUFEN 818338
334	Kartell • LAUFEN 812332 (with tap bank left)
342	Ino 812300, 812302, 816300, 816302, 817301, 817302 Kartell • LAUFEN 812331, 816332, 818331 Laufen Pro 812962, 812964, 817951, 817952 Laufen Pro S 812953, 812965

B / mm	Ceramic
342	Living 811433, 811434, 811435, 817432, 817434 Lua 812083, 816081, 816082 Savoy 812942
342	Sonar 812340, 812341, 812342, 812343, 816341, 816342 The New Classic 812850, 812851, 812852, 812853, 816852 Val 812280, 812284, 812285, 813281, 816280, 816282, 816283, 816284, 817281
393	Kartell • LAUFEN 816333 Laufen Pro S 816962, 816963, 818963
415	Living 817437
417	Kartell • LAUFEN 818335
446	Val 812282 (basin right)
515	Living 818438
767	Kartell • LAUFEN 812332 (with tap bank right)

X = The exact height must be set during installation.