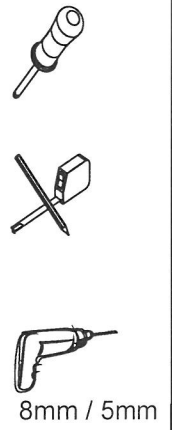
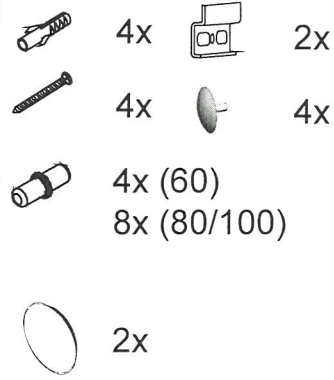
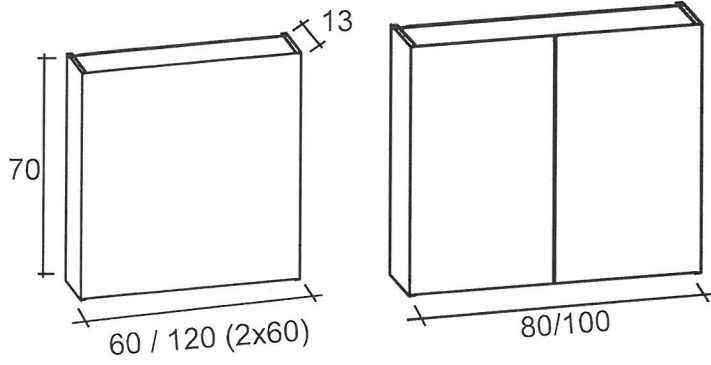
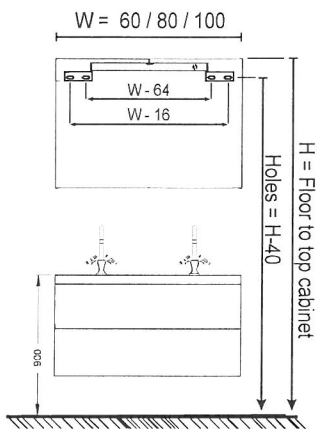


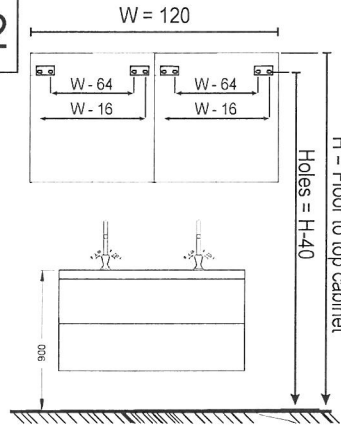
Spring Mirror Cabinet



1

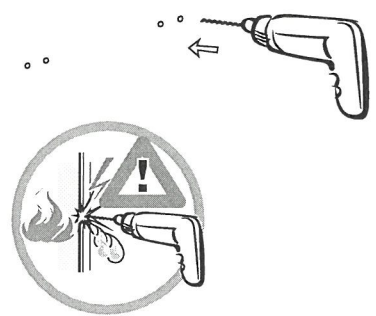


1.2

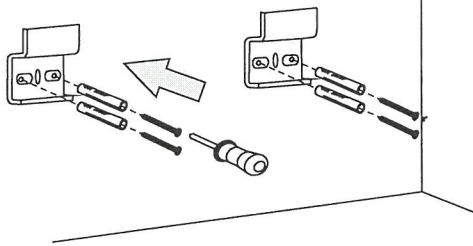


2

pre drill with 8mm drill bit in wall



3

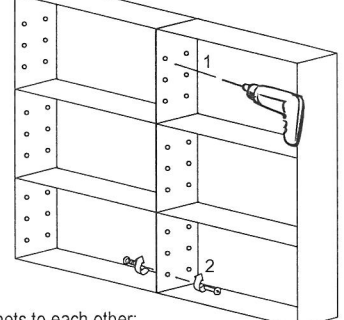


4

1. Adjust depth
2. Adjust vertically

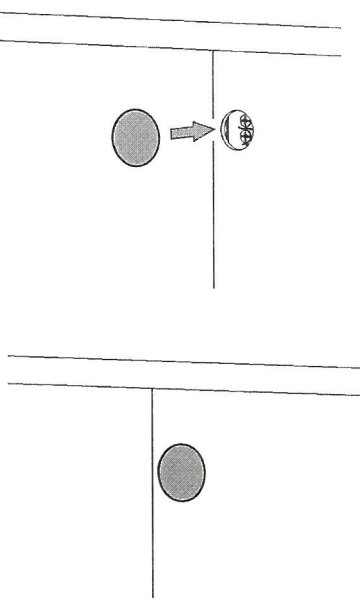
4.2

W = 120 = 2*60 cabinets



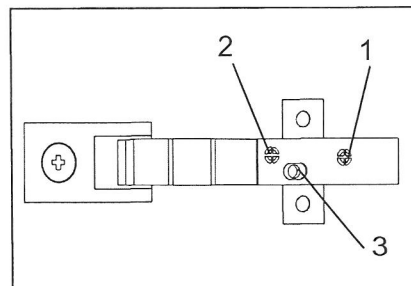
- Attach cabinets to each other:
 1: Drill 5mm holes through pre drilled hole for plank
 2: Attach with supplied binding screw

5



6

Adjust Hinges



- 1 - Adjust depth
- 2 - Adjust horizontally
- 3 - Adjust vertically